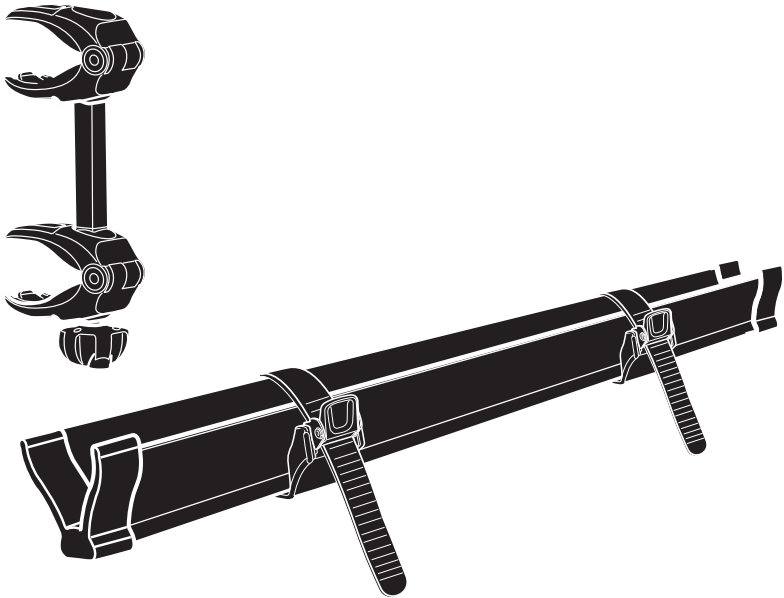
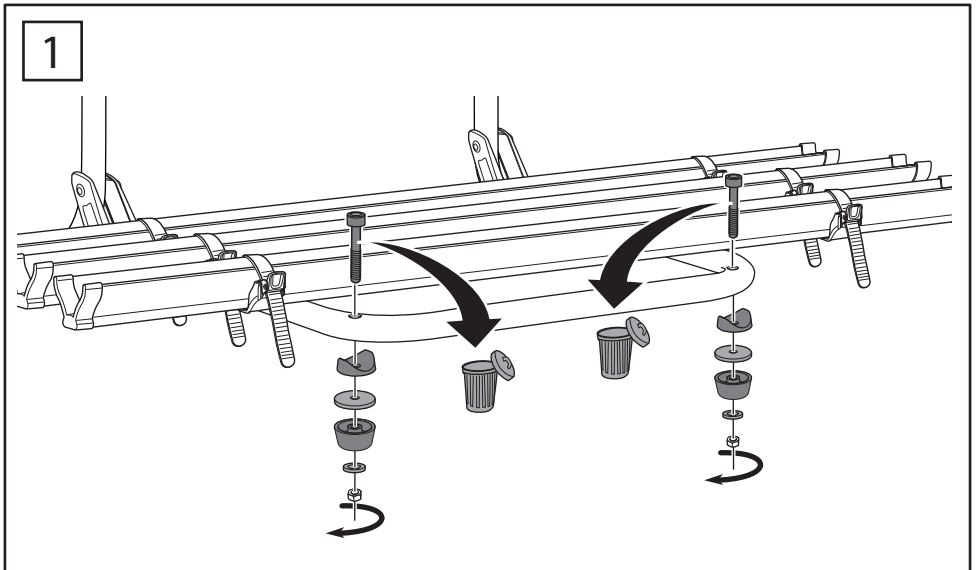
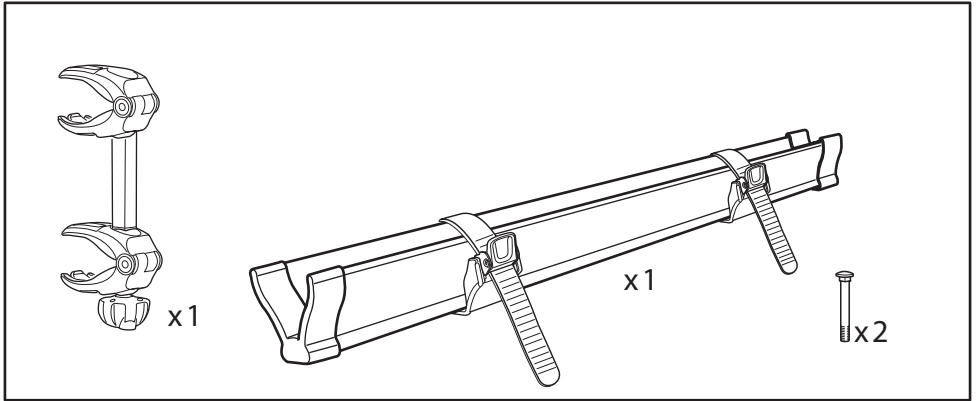
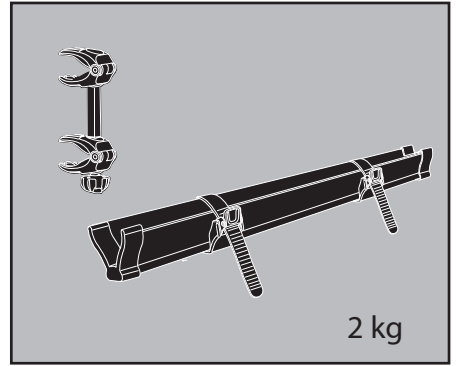
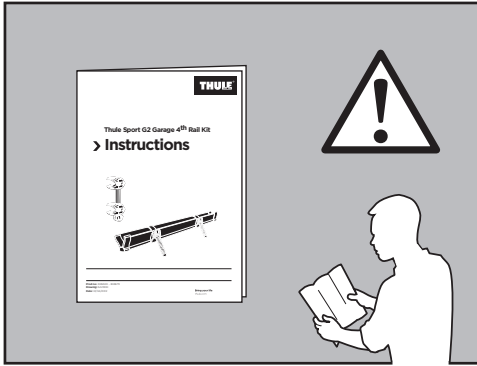
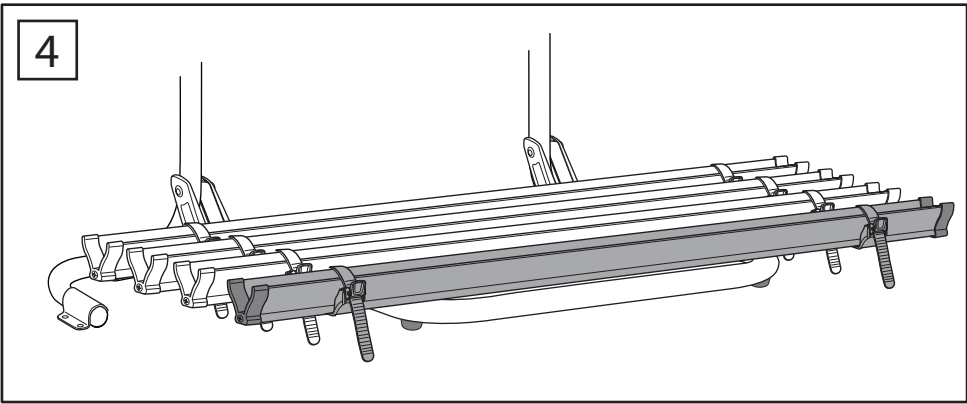
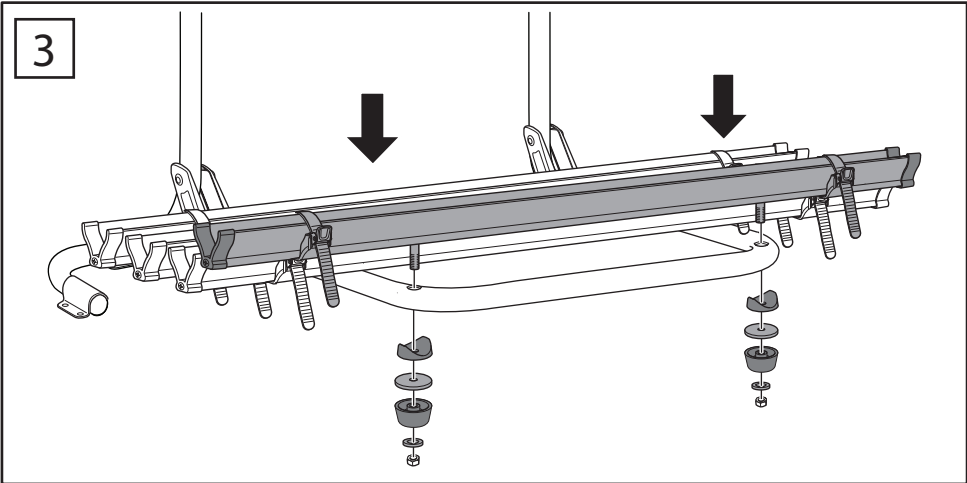
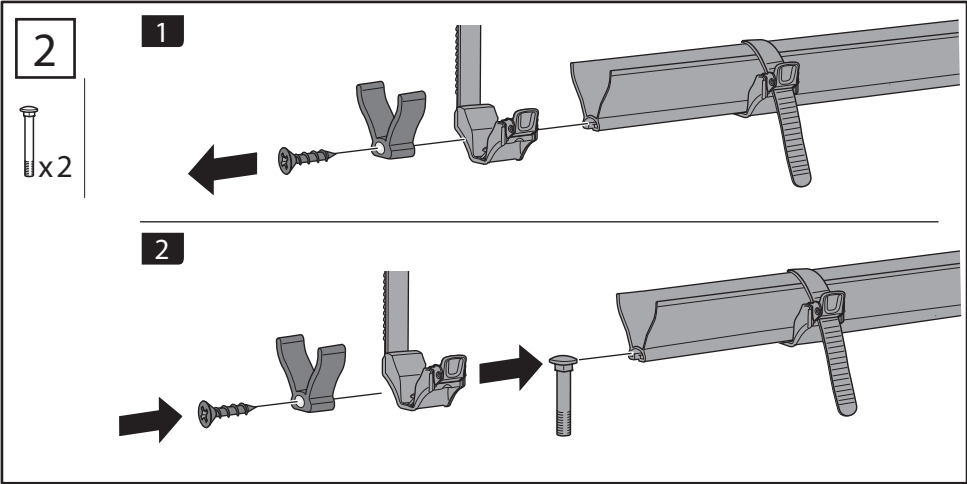


Thule Sport G2 Garage 4th Rail Kit

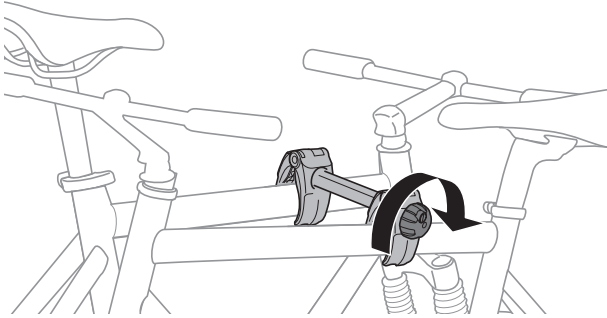
> Instructions







5



526000

**Abschließbare
Knebelmutter
Locking Knob**



538000

**Kabelschloss
Locking wire**

